

Modular Cooking Range Line 700XP 4-Hot Plates Electric Boiling Top Range

ITEM # _____

MODEL # _____

NAME # _____

SIS # _____

AIA # _____



371015 (E7ECEH4R00)	4-Hot Plate (2,6 kW each) electric Boiling Top
371127 (E7ECEH4R0N)	4-Hot Plate (2,6 kW each) electric Boiling Top

Short Form Specification

Item No.

To be installed on open base installations, bridging supports or cantilever systems. Four 2.6 kW cast-iron hot plates hermetically sealed to the one-piece top. Exterior panels in stainless steel with Scotch Brite finish. One piece pressed work top in 1.5 mm thick stainless steel. Right-angled side edges to allow flush-fitting junction between units.

Main Features

- Unit to be mounted on open base cupboards, bridging supports or cantilever systems.
- The four 2.6kW cast-iron plates are hermetically sealed to the one-piece top.
- The special design of the control knob system guarantees against water infiltration.
- IPx4 water protection.
- Suitable for countertop installation.

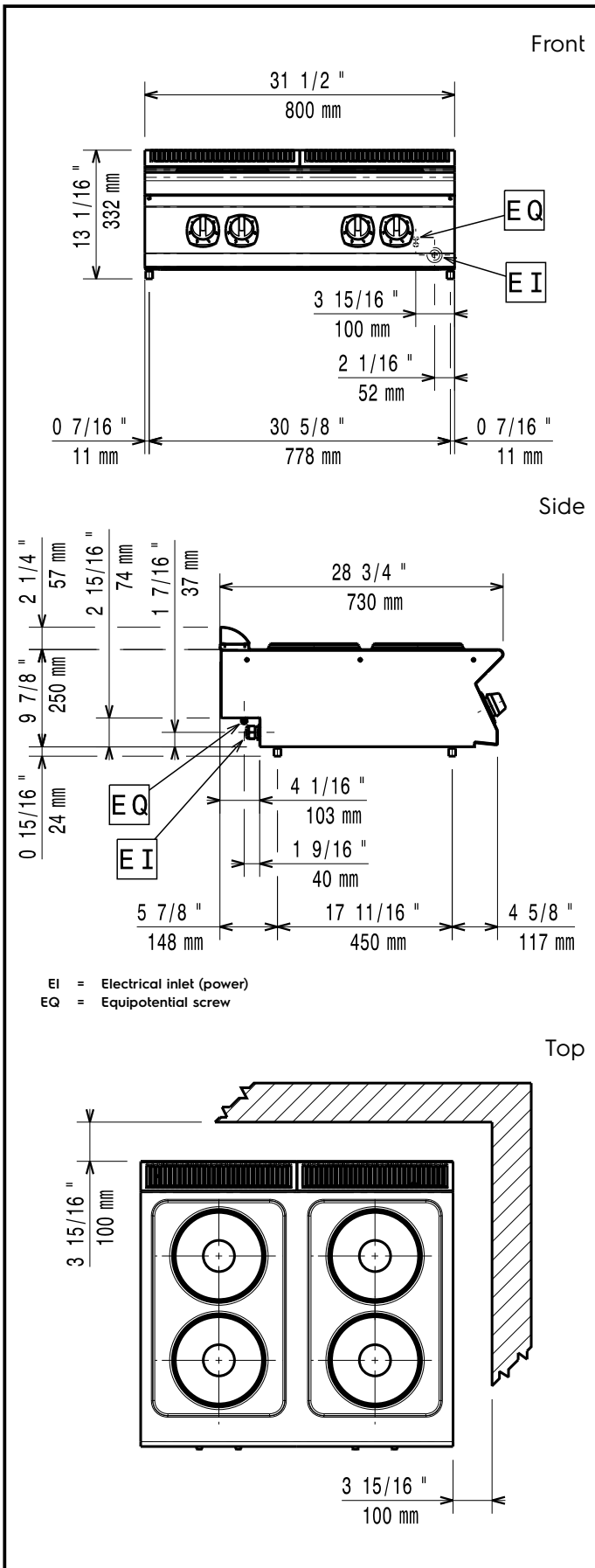
Construction

- All exterior panels in Stainless Steel with Scotch Brite finishing.
- One piece pressed 1.5 mm work top in Stainless steel.
- Model has right-angled side edges to allow flush fitting joints between units, eliminating gaps and possible dirt traps.

Optional Accessories

- Junction sealing kit PNC 206086
- Support for bridge type installation, 800mm PNC 206137
- Support for bridge type installation, 1000mm PNC 206138
- Support for bridge type installation, 1200mm PNC 206139
- Support for bridge type installation, 1400mm PNC 206140
- Support for bridge type installation, 1600mm PNC 206141
- Water column with swivel arm (water column extension not included) PNC 206289
- Water column extension for 700 line PNC 206291
- Chimney upstand, 800mm PNC 206304
- Right and left side handrails PNC 206307
- Back handrail 800 mm PNC 206308
- Chimney grid net, 400mm (700XP/900) PNC 206400
- Frontal handrail, 800mm PNC 216047
- Frontal handrail, 1200mm PNC 216049
- Frontal handrail, 1600mm PNC 216050
- Large handrail - portioning shelf, 800mm PNC 216186
- 2 side covering panels for top appliances PNC 216277
- Basket for 7lt top and free standing fryers (only for 371015) PNC 921608

APPROVAL: _____



Electric

Supply voltage:

371015 (E7ECEH4R00)

380-400 V/3 ph/50/60 Hz

371127 (E7ECEH4R0N)

230 V/3 ph/50/60 Hz

Total Watts:

10.4 kW

Predisposed for:

371015 (E7ECEH4R00)

380-400V 3~ 50/60Hz
9-10,4kW

Key Information:

Front Plates Power:

2.6 - 2.6 kW

Back Plates Power:

2.6 - 2.6 kW

Front Plates dimensions:

Ø 230 Ø 230

Back Plates dimensions:

Ø 230 Ø 230

External dimensions, Width:

800 mm

External dimensions, Depth:

730 mm

External dimensions, Height:

250 mm

Net weight:

40 kg

Shipping weight:

371015 (E7ECEH4R00)

39 kg

371127 (E7ECEH4R0N)

40 kg

Shipping height:

371015 (E7ECEH4R00)

520 mm

371127 (E7ECEH4R0N)

540 mm

Shipping width:

820 mm

Shipping depth:

860 mm

Shipping volume:

371015 (E7ECEH4R00)

0.37 m³

371127 (E7ECEH4R0N)

0.38 m³

Certification group:

371015 (E7ECEH4R00)

EH74T

371127 (E7ECEH4R0N)

N7CEI

If appliance is set up or next to or against temperature sensitive furniture or similar, a safety gap of approximately 150 mm should be maintained or some form of heat insulation fitted.